

ZETA 10

AESTHETIC 10" CYLINDER WITH VARIOUS COLOR TRIM OPTIONS

SPECIFICATION SHEET
ARCHI-COLOR® W+RGB

Housing

Diameter : Ø9.4" | Height : 18.6" | Weight : 25 lbs

Material

Housing : High Pressure Die-Cast Aluminum, Tempered Glass
Reflector : Flow Forming Aluminum

Power Input

50W(White=25W, RGB=25W) | 120-277V
100W(White=50W, RGB=50W) | 120-277V

Lumen Output

3,260 lm (50W), 6,145 lm (100W)

Dimming

DMX : High resolution dims to 0.1% (Supports ANSI E1.20 RDM protocol)

Color Quality

CRI 85

Rated Life

> 100,000 Hours (L70)

Finish



Black White

Trim Finish



White Silver Gold Copper Black

Color Temperature



3000K

+



Archi-Color® W+RGB

Optics



45°



55°

Mounting



Stem Mount



Adjustable Cable



Wall Mount

Warranty

5 Year limited warranty

Listing



METEOR

High Lumen Package & Personalization Options

An aesthetic 10-inch aperture cylinder with a sleek exterior and a low-profile design. Perfect fit for installations at 15 to 30 ft. mounting heights. With its five color trim options, you can effortlessly match the luminaire to your project and surroundings.

The Zeta 10 offers advanced glare control and delivers an impressive 6,145 lumens, making it a preferred choice for high-profile projects.



meteor-lighting.com

SPECIFICATION

| | |
|----------------------|----------------------|
| PROJECT NAME | DATE |
| <input type="text"/> | <input type="text"/> |
| CATALOG # | QUANTITY |
| <input type="text"/> | <input type="text"/> |

The product configurator function on this page works only with the latest version of Chrome or Adobe Acrobat Reader.

| | | | | |
|-----------------------------------|--------------------|---|---|--|
| <input type="text" value="ZS10"/> | MODEL | ZETA 10 | | |
| <input type="text"/> | WATTAGE | 50 50W | 100 100W | |
| <input type="text" value="308C"/> | CCT / CRI | 308C 3000K +RGB / CRI 85 Archi-Color® W+RGB | | |
| <input type="text" value="UNV"/> | VOLTAGE | UNV 120-277V | | |
| <input type="text"/> | DIMMING | DMX DMX dims to 0.1% (XLR Sockets) | DMXR DMX dims to 0.1% (RJ45 Sockets) | DMXP DMX dims to 0.1% (Terminal Block) |
| <input type="text"/> | BEAM ANGLE | 45 45° | 55 55° | |
| <input type="text"/> | FINISH | BLK Black | WHT White | |
| <input type="text"/> | TRIM FINISH | 1 Copper Color Trim 4 White Color Trim | 2 Gold Color Trim 5 Black Color Trim | 3 Silver Color Trim |
| <input type="text"/> | MOUNTING | ST2 Stem 2ft SAD10 Sloped Adjustable Cable 10ft | ST4 Stem 4ft WLM ¹ Wall Mount | AD10 Adjustable Cable 10ft |
| <input type="text"/> | ACCESSORIES | SPD ² Surge Protector | CT ³ Conduit Mount | FCS ⁴ Field Cut Stem Adapter Kit |

CLEAR FORM

¹ Specifying wall mount with DMX does not feature XLR or RJ45 sockets; connections are hard-wired using three DMX wires
² Surge protector for up to 10KV. Applicable for unstable mains or facilities using high power machineries
³ CT is not compatible with WLM
⁴ FCS is not compatible with WLM

TECHNICAL DETAILS

Electrical

- 3,260 lm (50W | White = 25W, RGB = 25W)
- 6,145 lm (100W | White = 50W, RGB = 50W)
- Power Input : 120-277V
- Operating Temperature : -13°F~112°F
- Surge Protection : Built-in is 4KV

LED Features

- Color Temperature : 3000K + Archi-Color® W+RGB
- CRI 85
- Long lasting LED luminaire tested under TM21 lumen maintenance L70 @ 100,000 Hrs

Optics

- Precision molded high transmittance clear PC lens
- Beam Angle : 45°, 55°

Advanced Dimming

- Proprietary VX Driver™ is integrated across all dimming options, delivering video flicker-free performance and full compliance with IEEE 1789.
- DMX : High resolution dims to 0.1% (Supports ANSI E1.20 RDM protocol)

Housing

- Diameter : Ø9.4"
- Height : 18.6"
- Weight : 25 lbs
- Material : High Pressure Die-Cast Aluminum, Tempered Glass

Mounting

- Stem Mount 2ft or 4ft (Swivel Canopy Included)
- Adjustable Cable 10ft
- Sloped Adjustable Cable 10ft
- Wall Mount

Warranty

- 5-year limited warranty

Listing

- ETL Damp Location Listed
- CE
- FCC

PERFORMANCE SUMMARY*

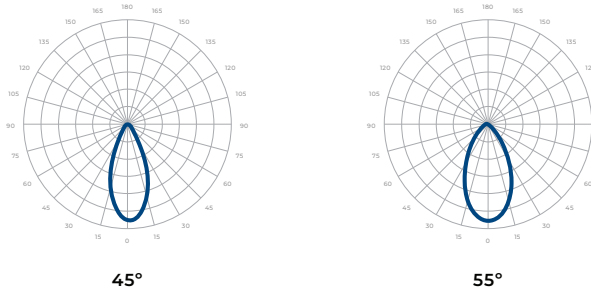
| Delivered Lumens | | | | |
|------------------|-------|---------|-------|---------|
| CCT/WATTAGE | R | G | B | W |
| 50W | 8W | 8W | 8W | 25W |
| | 150lm | 990lm | 120lm | 2,000lm |
| 100W | 17W | 17W | 17W | 50W |
| | 220lm | 1,700lm | 210lm | 4,015lm |

*Beam Angle: 45° *Tolerance ±8%

| Current Consumption | | |
|---------------------|-------|-------|
| WATTAGE / VOLT | 120V | 277V |
| 50W | 0.44A | 0.19A |
| 100W | 0.89A | 0.38A |

PHOTOMETRICS

Below is a typical photometric representation of the ZETA 10 fixture. Please download IES files to ensure exact photometric value.



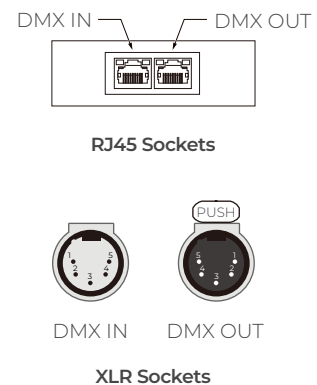
DMX REQUIREMENTS

The Zeta 10 Archi-Color® W+RGB fixture with DMX is a **four channel dmx** unit. When placing an order, please indicate DMX address. (The DMX address will be listed on the back of the fixture). Do not connect more than 32 fixtures per DMX daisy chain.

| DMX Address | | | | |
|-------------|---------------------|-------------------------|------------------------|-------------------------|
| Fixture | Red Control (ex. X) | Green Control (ex. X+1) | Blue Control (ex. X+2) | White Control (ex. X+3) |
| #1 | 1 | 2 | 3 | 4 |
| #2 | 5 | 6 | 7 | 8 |
| #3 | 9 | 10 | 11 | 12 |

The fixture can be connected with RJ45 or XLR sockets. DMX cables **are not** included; please refer to compatible DMX cabling list for more information. The final fixture on each daisy chain should be terminated by the use of a DMX terminator purchased from a 3rd party or from Meteor.

| CONNECTION | RJ45 (CAT5e) | 5-PIN XLR |
|------------|-----------------------------------|-----------|
| Common | WHITE/BROWN(PIN7) & BROWN (PIN 8) | PIN 1 |
| Signal - | ORANGE (PIN 2) | PIN 2 |
| Signal + | WHITE/ORANGE (PIN 1) | PIN 3 |
| Spare | - | PIN 4 |
| Spare | - | PIN 5 |



COMPATIBLE DMX CABLING LIST

DMX uses a cable consisting of two twisted pairs plus a shield to carry data. The cable must be specifically impedance matched for the digital DMX signal, meaning that microphone cable or other non-rated cable **must not be used to carry DMX**. Network cable (Cat5, 5e or 6 cable) may be used to carry DMX in an installation; however special consideration must be given to shielding and termination. Under no circumstances should solid core cable like Cat5 be terminated into a screw down connector.

Meteor recommends the use of Belden 9729 or Belden 9841 for DMX installation. Belden 9729/9841 is a two pair cable, which allows for a spare pair for 'out and back' type terminations if needed.

TRIM FINISH



White Trim



Silver Trim



Gold Trim

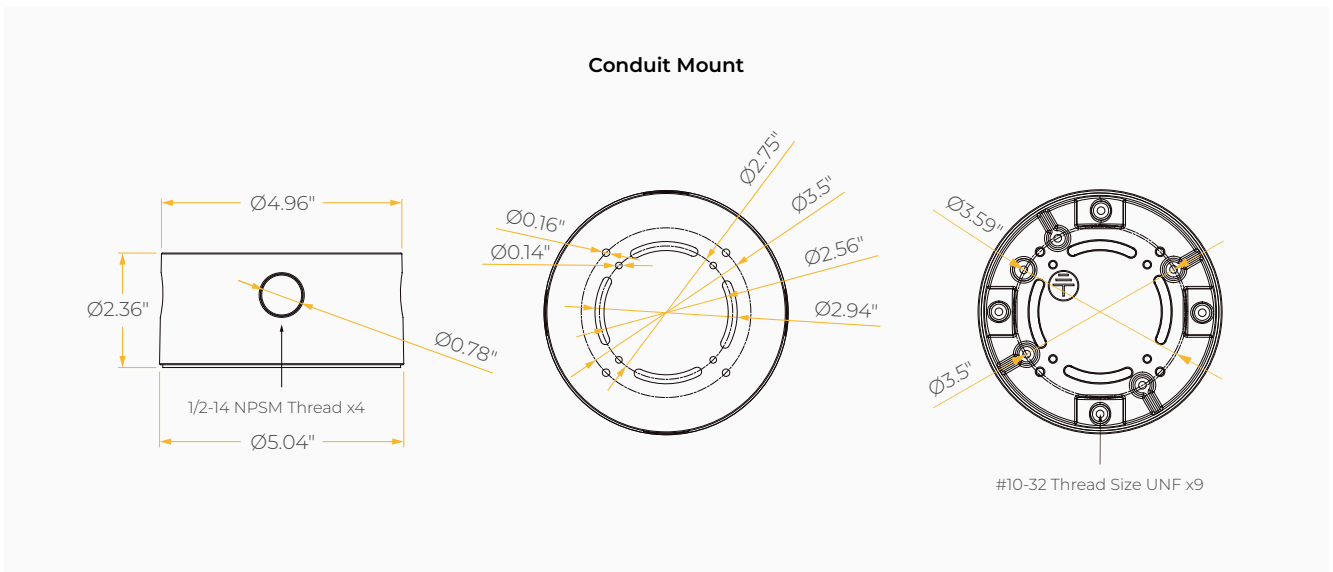
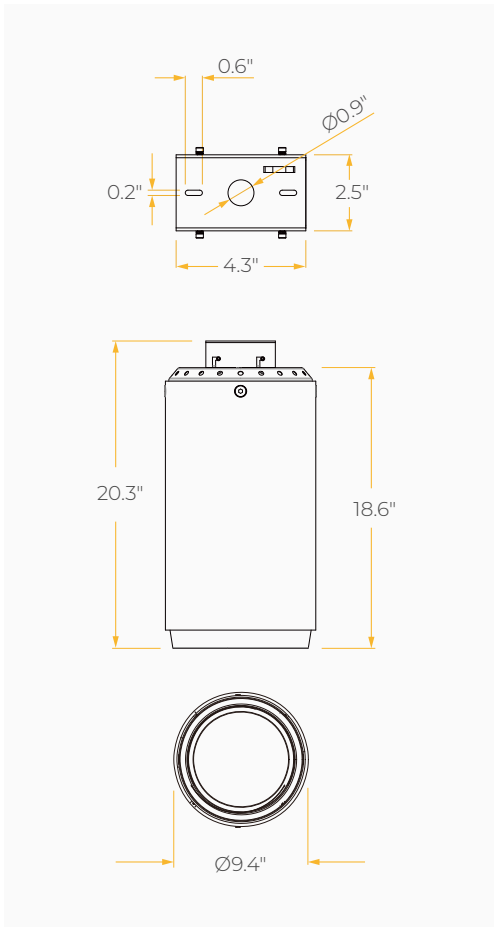


Copper Trim



Black Trim

DIMENSIONS



MOUNTING OPTIONS

*Junction Box not included

